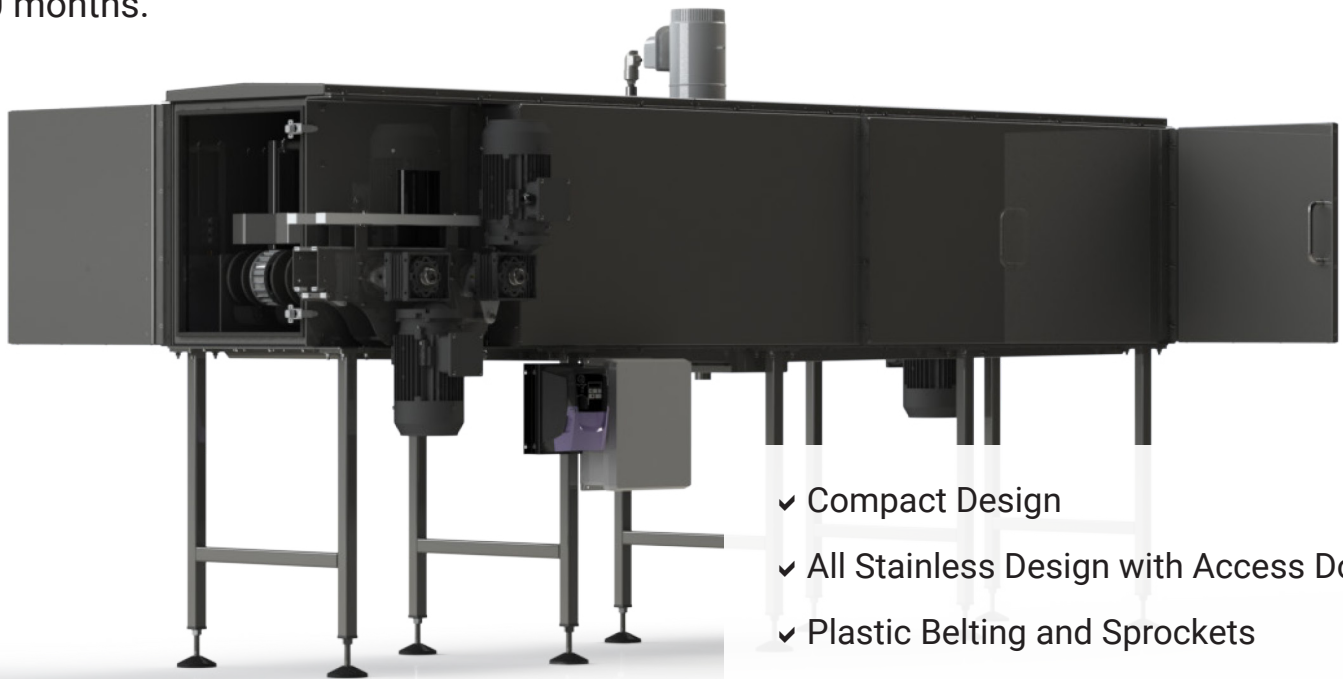




## Financing for Can Warming Tunnel (Steam, Hot Water or Convection Versions)

Get financing for the Can Warming Tunnel from Palmer Beverage System's financing partner, Dimension Funding.

Turn the entire equipment purchase cost into one monthly payment for a term of up to 60 months.



- ✓ Compact Design
- ✓ All Stainless Design with Access Doors
- ✓ Plastic Belting and Sprockets
- ✓ Easy To Use and Set Up
- ✓ Runs Standard - Sleek - Slim

### Can Warming Tunnel - \$125,000 Sales Price Monthly Financing

- ✓ 36 months at \$4,070 / month
- ✓ 48 months at \$3,210 / month
- ✓ 60 months at \$2,673 / month

\*Payment provided is based on time in business of at least 3 years with qualifying credit (60 Day Deferred Payments Available on Approved Credit)

John Gallagher  
(949) 608-2244  
JGallagher@DimensionFunding.com

